

Verderflex EV1500



VERDERFLEX®

Verderflex Economy EV1500 Specifications

Speeds Control	30 to 240 RPM
Pumphead	Manually controlled through potentiometer, fast prime, reversible
Rotor Assembly	Black Cylcoloy with support bearing
Voltage	2 Roller Nylon 6, with acetal polymer rollers
Installed Motor Power	110/230V 50/60Hz
Protection Class	150W
Standard Tube Options	IP30
Standard Tube Sizes	Verderprene, Silicone and Viton®
Weight	6.4 x 2.4 mm, 8.0 x 2.4 mm 3 kg

Flow Rates

Tube	Min. Flow (ml/min)	Max. Flow (ml/min)
6.4 x 2.4	190	1,710
8.0 x 2.4	280	2,570

Flows are typical and were measured with water at 20°C with no suction lift or discharge pressure. Actual flows will vary according to suction conditions, discharge pressure, tube material and production tolerances.

Standard Pump Ordering Options

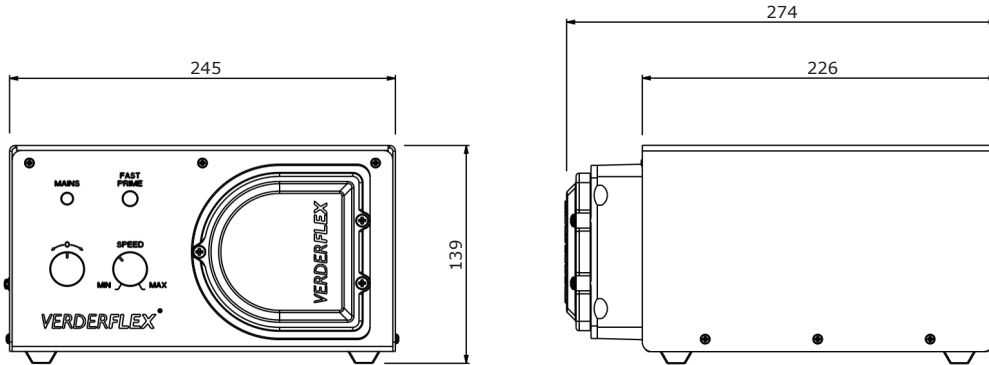
No Tubing

UK Plug	160.1000	VF ECONOMY EV 1500 No Tube VP UK
European Plug	160.1001	VF ECONOMY EV 1500 No Tube VP EU
US Plug	160.1002	VF ECONOMY EV 1500 No Tube VP US

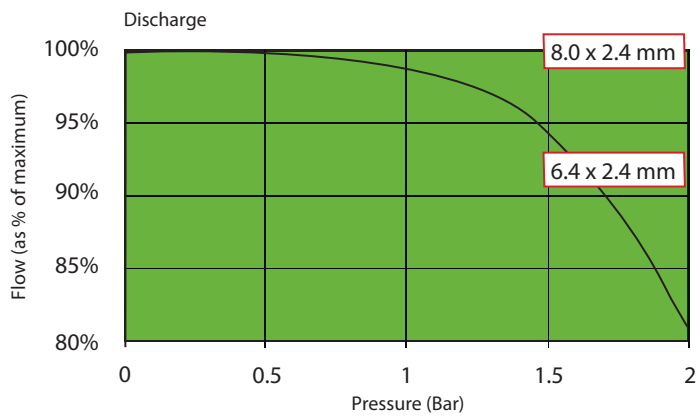
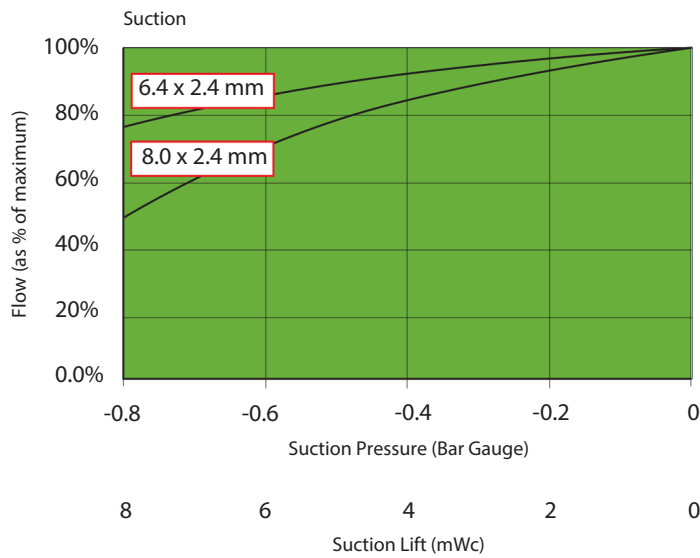
Tubing is ordered separately



Verderflex EV1500



All dimensions are in mm.
All dimensions and weights are for guidance only.



VF-Economy_Techno_Rev01_2014_(eu)_VF

**Find your local supplier
at www.verderflex.com**

For construction installation and floor mounting drawings
please contact your local authorised Verderflex® distributor.

VERDER
passion for pumps