 Made in Poland. Established in 1990.



POL-EKO®
Perfect Environment



Peltier cooled incubator
STP 4 SMART PRO

Peltier cooled incubator STP series

Cooled incubator STP 4 with peltier cooling-heating system



Parameter		STP 4
air convection		forced
chamber capacity [l]		250
working capacity [l]		203
door type		solid / glass (option) / double ¹ (option)
temperature range [°C]		+3...+70 (maximum 15°C below ambient temperature)
temperature resolution [°C]		every 0,1
controller		microprocessor PID, 4,3" (SMART) / 7" (SMART PRO) full colour touch screen
interior	C (comfort)	stainless steel to DIN 1.4016
	CS (comfort/S)	stainless steel to DIN 1.4016
	P (premium)	acid-proof stainless steel to DIN 1.4301
	PS (premium/S)	acid-proof stainless steel to DIN 1.4301
housing	C (comfort)	powder coated sheet
	CS (comfort/S)	polished stainless steel
	P (premium)	powder coated sheet
	PS (premium/S)	polished stainless steel
max shelf workload ² [kg]	-	10
	PW ³ version	on request
max unit workload [kg]	-	50
	W ⁴ version	on request
nominal power [W]		250
weight ⁵ [kg]		69
castors		option
temperature fluctuation ⁶ at +37°C [± °C]		0,1
temperature variation ⁶ at +37°C [± °C]		0,3
time to return to the set temp. of 37°C when the door is opened for 30s [min]		4
time to reach the set temperature of 37°C from 23°C [min]		70
temperature protection		class 1.0 to DIN 12880 / class 3.3 (option) / class 2.0 in P version / class 3.3 in SMART PRO
power supply		230V 50-60Hz
average daily energy consumption [kWh/24h]		1,7
shelves fitted/max		4/6
refrigerant		Peltier element
warranty		24 months
manufacturer		POL-EKO®

all the above technical data refer to standard units (without optional accessories)

1 - additional internal glass door

2 - on uniformly loaded surface

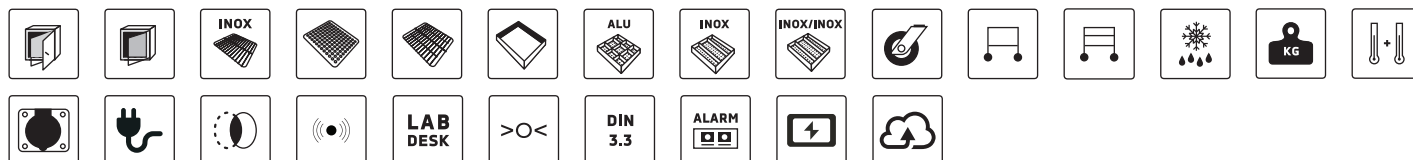
3 - reinforced shelf

4 - reinforced version

5 - for equipment with solid door, in version C (comfort)

6 - fluctuation measured in centre of chamber; in space, variation (K) calculated for chamber as: $K = \pm (T_{avg\ max} - T_{avg\ min}) / 2$

OPTIONS & ACCESSORIES



Peltier cooled incubator STP series

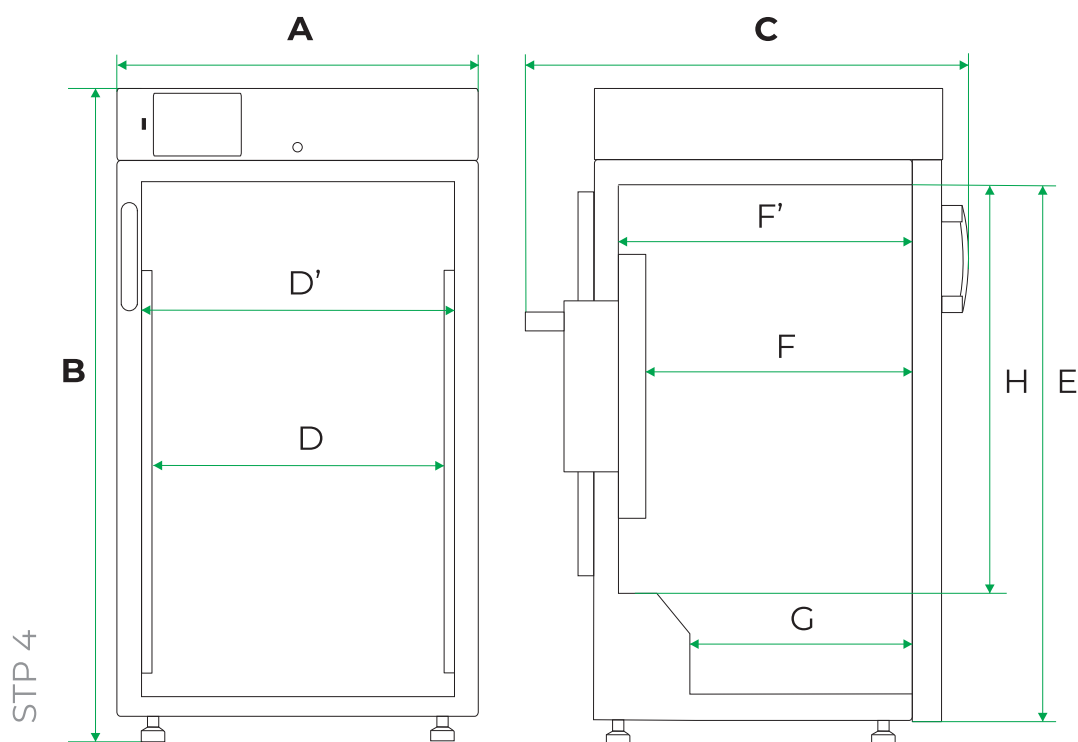
DIMENSIONS & DATA

All dimensions refer to standard units (without optional accessories).

Overall depth doesn't include 50 mm of power cable, the width does not include the 20 mm of access ports' silicone plug.

The internal depth of units with double door is smaller.

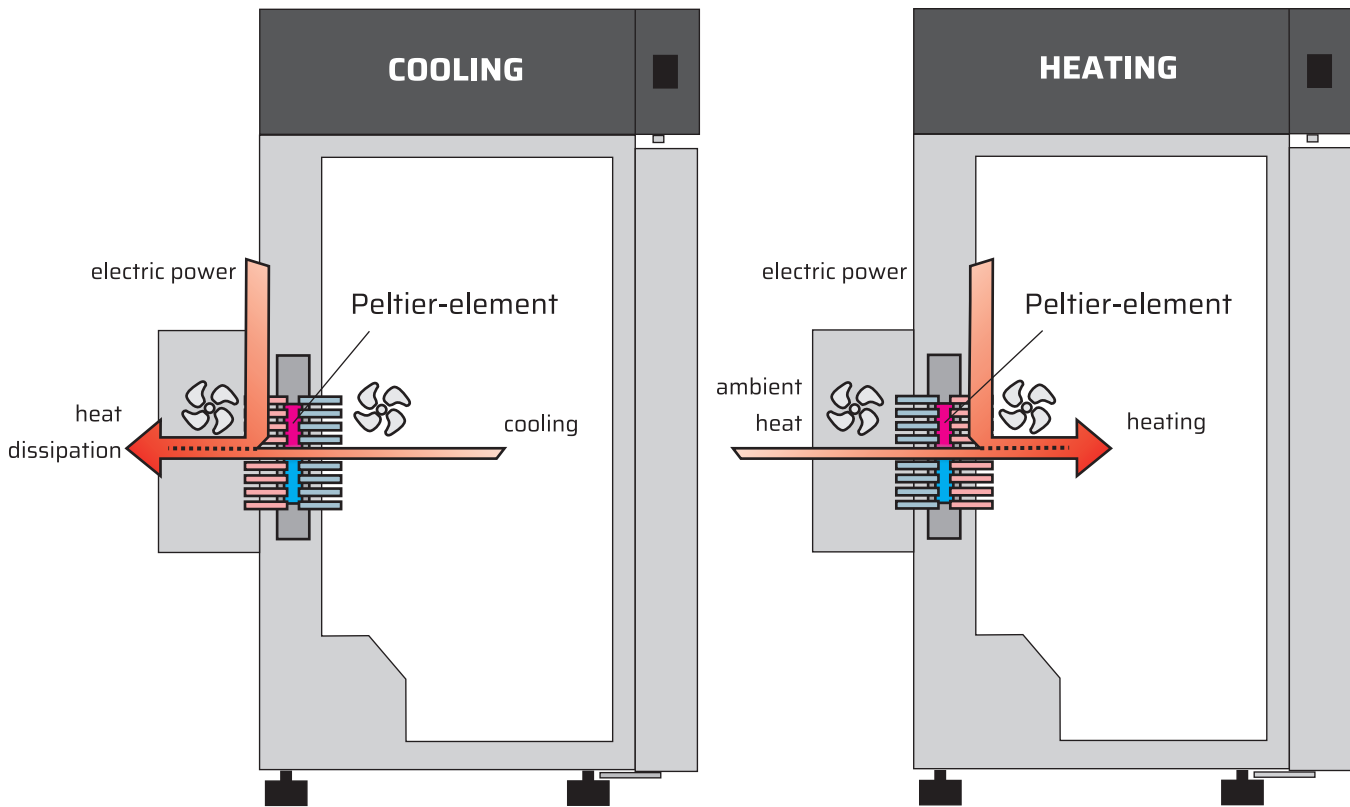
Possibility of changing the shelf position STP 4 every 25 mm.



		STP 4
overall dims [mm]	A width	600
	B height	1300
	C depth	815
internal dims [mm]	D width	480
	D' width	520
	E height	1060
	F depth	420
	F' depth	480
	G depth	840
	H height	320

Peltier cooled incubator STP series

PELTIER COOLING-HEATING SYSTEM



Environmentally friendly

Elimination of compressor and refrigerants ensures environmental protection.

Lighter and smaller

The cooling system based on Peltier modules allows reducing the dimensions of the unit and its weight (compared to compressor-cooled chambers).

No vibration and more quiet operation

Compared to compressor-cooled chambers, Peltier units do not vibrate, and the noise level is significantly lower.

Energy saving

The tests performed at a temperature close to the ambient temperature shows the economy of the heating and cooling concept with Peltier.

Perfect performance

The cooling system based on the Peltier element features excellent temperature variation and fluctuation. It also improves the temperature recovery time (e.g. after door opening).



POL-EKO[®]
Perfect Environment

**Manufacturer of laboratory equipment,
fume hoods and water monitoring stations.**

**POL-EKO[®] sp. k.
ul. Kokoszycka 172C
44 - 300 Wodzisław Śląski
POLAND
Phone: +48 32 453 91 70
E-mail: export@pol-eko.com.pl**



While we make every effort to provide accurate technical data, inconsistencies may occur.
We reserve the right to change technical specifications without notice.
All dimensions are given exact to $\pm 5\%$.

www.pol-eko.com.pl