



320L AUTOCLAVE FRONT LOADING

EH320-BASE
SH320-BASE



400L AUTOCLAVE FRONT LOADING

EH400-BASE
SH400-BASE

Priorclave's Base range covers "the basics": media preparation, waste loads, and sterilising loose instruments, open containers, and labware. These are high-efficiency cylindrical chambered autoclaves, caster-mounted for easy transport. They are well suited to research, quality assurance, and teaching labs. Easy maintenance and light resource consumption help ensure a low lifetime cost of ownership. All Base models include fully programmable cycle customisation, "media warming," integrated cooling and freesteaming systems, and drain protection.

KEY FEATURES

- Quickseal single-action door fitted with thermal and pressure locks to prevent opening at load temperature above 80°C and pressures above 0.2 bar.
- Tactrol® 3 microprocessor control with simple and fully variable setting of process time, temperature with graphic indication of cycle status.
- Automatic timed free-steaming.
- Media Warming and Delayed Start functions keep autoclaved media at a usable temperature ready for immediate use.
- Low water level sensor.
- Two full width stainless steel load shelves.
- Epoxy coated panels and frame members are treated with an anti-bacterial agent which is effective against all bacteria and fungi including MRSA.
- Pressure vessel carries a 10 year warranty and is insurance approved.
- Service and support direct from manufacturer (or appointed distributor).

SPEAK WITH AN AUTOCLAVE EXPERT

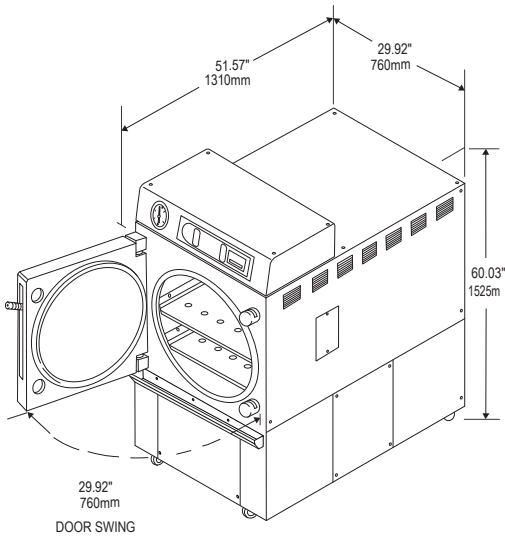


+44 (0)20 8316 6620 • priorclave.co.uk • sales@priorclave.co.uk

Our highly trained service technicians provide dedicated pre- and after-sales support including planned maintenance programmes to ensure you get the most from your Priorclave.

320L AUTOCLAVE FRONT LOADING

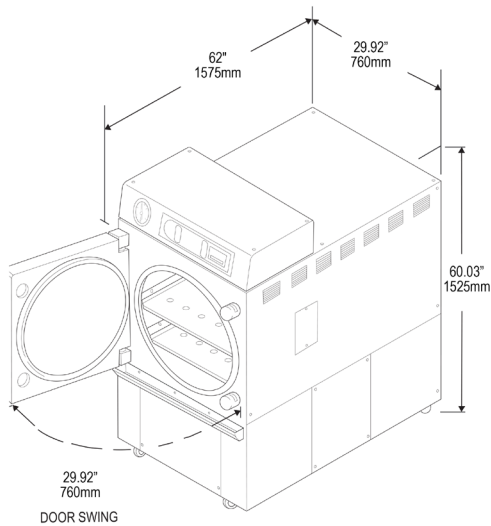
EH320-BASE, SH320-BASE



Heat Input	Chamber Volume	Operating Range	Loading Format	Loading Height	Heating Power
Internal Electrical or Direct Steam Source	320 litres	Up to 138 °C, 2.4 Bar (280 °F 34 psi)	Front Loading	725mm (X")	18kW 30A three-phase
Chamber Dimensions diameter x depth		Bottom Shelf Dimensions w x d		Top Shelf Dimensions w x d	
630 x 1025mm (24.80" x 40.35")		490 x 1025mm (19.29" x 40.35")		620 x 1025mm (24.40" x 40.35")	
Outside Dimensions w x d x h	Weight (unloaded)	Minimum Installation w x d x h	Door Swing		
760 x 1310 x 1525mm (29.92" x 51.57" x 60.03")	300 kg (661.38 lbs)	1480 x 990 x 760mm (58.26" x 38.97" x 29.92") not including door swing	760mm (29.9")		

400L AUTOCLAVE FRONT LOADING

EH400-BASE, SH400-BASE



Heat Input	Chamber Volume	Operating Range	Loading Format	Loading Height	Heating Power
Electrical or Direct Steam Source	400 litres	Up to 138 °C, 2.4 Bar (280 °F 34 psi)	Front Loading	725mm	18kW at 30A three phase
Chamber Dimensions diameter x depth		Bottom Shelf Dimensions w x d		Top Shelf Dimensions w x d	
630 x 1200mm (13.8" x 24.4")		490 x 1200mm (19.29" x 47.24")		620 x 1200mm (24.40" x 47.24")	
Outside Dimensions w x d x h	Weight (unloaded)	Minimum Installation w x d x h	Door Swing		
760 x 1575 x 1525mm (29.92" x 62" x 60.03")	350kg (771.61 lbs)	1725 x 990 x 760mm (67.91" x 38.97" x 29.92") not including door swing	760mm (29.9")		

CONFORMITY & COMPLIANCE

UK Standard ISO 9001 / CE Marked / BS2646

US Standard ASME

EU Standard CE / ISO 9001 / PED 97/23/EC

INT Standard

EMC Compliance

Sustainability

ACT Label Issued

Service

Priorclave Trained Standard