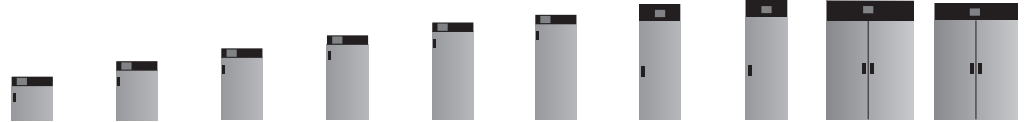


**TECHNICAL DATA**



parameters	ST 1	ST 2	ST 3	ST 4	ST 5	ST 6	ST 500 M	ST 700 M	ST 1200 M	ST 1450 M
air convection	forced									
chamber capacity [l]	70	150	200	250	300	400	500	625	1365	1540
working capacity [l]	55	122	163	203	243	324	469	611	1355	1525
door type	solid / glass (option) / double <sup>1</sup> (option) / SMART window (option)									
temperature range [°C]	+3...+40 in SMART / up to +70 (option) / +3...+70 in SMART PRO									
temperature resolution [°C]	every 0,1									
controller	microprocessor PID, 4,3" (SMART) / 7" (SMART PRO) full-colour touch screen									
interior	C (comfort)	stainless steel to DIN 1.4016								
	CS (comfort/S)	stainless steel to DIN 1.4016								
	P (premium)	acid-proof stainless steel to DIN 1.4301								
	PS (premium/S)	acid-proof stainless steel to DIN 1.4301								
housing	C (comfort)	powder coated sheet								
	CS (comfort/S)	polished stainless steel to DIN 1.4301								
	P (premium)	powder coated sheet								
	PS (premium/S)	polished stainless steel to DIN 1.4301								
max shelf workload <sup>2</sup> [kg]	10	10	10	10	10	10	20	30	30	30
	PW <sup>3</sup> version						on request			
max unit workload [kg]	20	30	40	50	60	60	100	150	300	300
nominal power [W]	250	250	250	250	350	350	650	650	650	950
weight <sup>4</sup> [kg]	43	63	72	82	89	107	125	145	221	239
castors	option								yes	
temperature fluctuation <sup>5</sup> at +37°C [± °C]	0,3	0,3	0,3	0,3	0,3	0,3	0,3	0,3	0,3	0,3
temperature variation <sup>5</sup> at +37°C [± °C]	0,5	0,5	0,5	0,6	0,6	0,6	1,0	1,0	1,0	1,0
temperature protection	class 1.0 to DIN 12880 / class 3.3 (option) / class 2.0 in P version / class 3.3 in SMART PRO									
power supply	230V 50-60Hz / 115V 50-60Hz									
shelves fitted/max	2/2	3/4	3/4	4/6	4/7	4/10	3/11	3/11	2 x 3/11 <sup>6</sup>	2 x 3/11 <sup>6</sup>
refrigerant	R1234ze / GWP=7						R290 / GWP=3			
warranty	24 months									
manufacturer	POL-EKO®									

all the above technical data refer to standard units (without optional accessories)

1 - additional internal glass door

2 - on uniformly loaded surface

3 - reinforced shelf

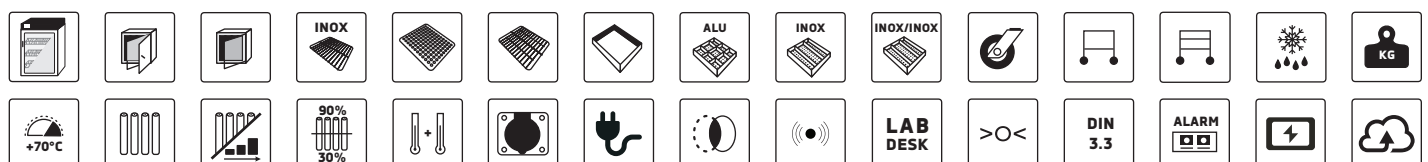
4 - for equipment with solid door, in version C (comfort)

5 - fluctuation measured in centre of chamber; in space, variation (K) calculated for chamber as:  $K = \pm (T_{avg\ max} - T_{avg\ min}) / 2$

for ST 2-6 parameters given for the chamber space above the bottom step

6 - two columns with 3 shelves each

**OPTIONS & ACCESSORIES** (icon description see pages 117-124)



**DIMENSIONS & DATA**

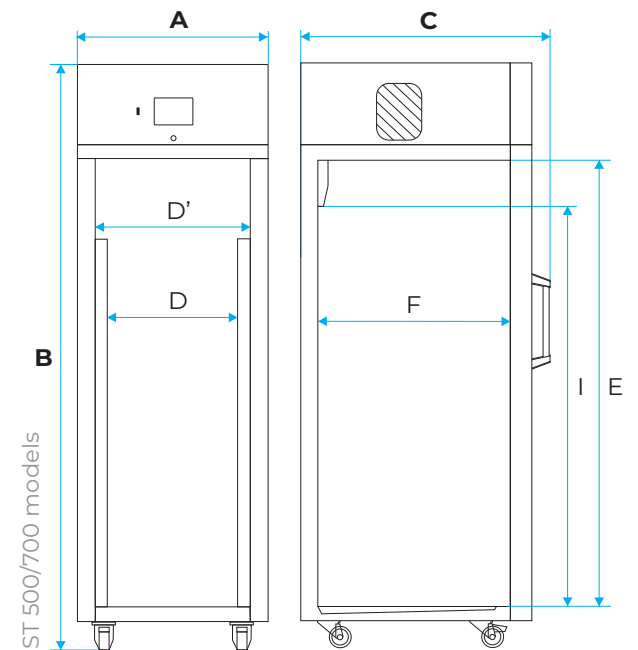
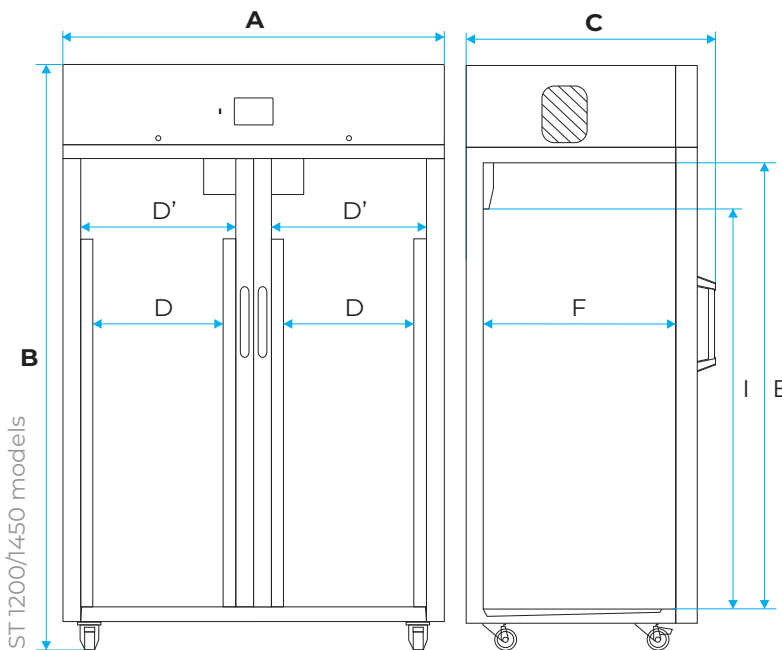
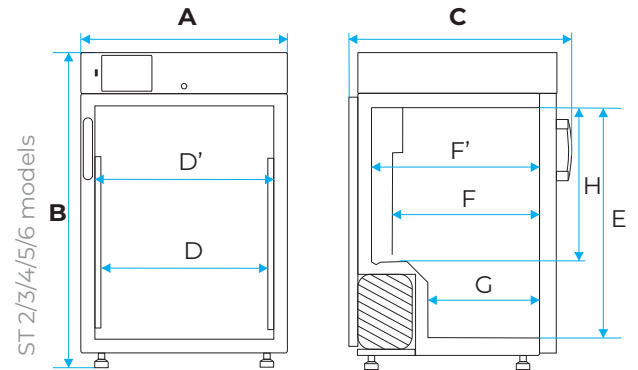
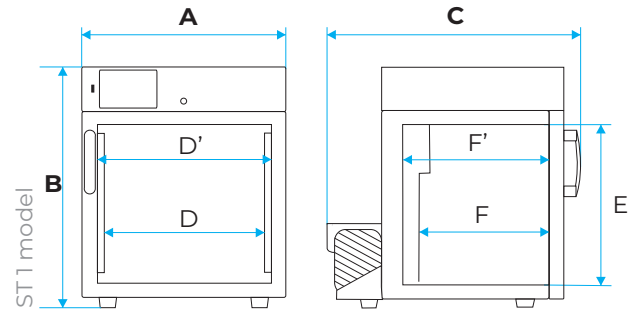
All dimensions refer to standard units (without optional accessories).

Overall depth doesn't include 50 mm of power cable, the width does not include the 20 mm of access port's silicone plug.

The internal depth of units with double door is smaller.





Possibility of changing the shelf position:

- ST 1-6 every 25 mm
- ST 500-1450 every 56 mm



		ST 1	ST 2	ST 3	ST 4	ST 5	ST 6	ST 500 M	ST 700 M	ST 1200 M	ST 1450 M
overall dims [mm]	A width	560	610	610	610	610	610	640	730	1470	1450
	B height	660	900	1100	1300	1500	1900	1990	1990	1990	1940
	C depth	690	650	650	650	650	650	840	900	900	990
internal dims [mm]	D width	430	480	480	480	480	480	470	530	2 x 540	2 x 550
	D width (FOT/FIT)	430	415	415	415	415	415	445	535	2 x 520	2 x 525
	D' width	470	520	520	520	520	520	510	600	2 x 600	2 x 615
	E height	430	660	860	1060	1260	1660	1510	1510	1510	1450
	E height (FOT/FIT)	390	660	860	1060	1260	1660	1510	1510	1510	1460
	F depth	300	420	420	420	420	420	610	680	680	790
	F' depth	360	480	480	480	480	480	-	-	-	-
	G depth	-	320	320	320	320	320	-	-	-	-
	H height	-	440	640	840	1040	1440	-	-	-	-
I height	-	-	-	-	-	-	-	1380	1380	1380	1320

**TECHNICAL DATA**

					
parameters		<b>ST 1/1</b>	<b>ST 1/1</b>	<b>ST 2/2</b>	<b>ST 2/3</b>
air convection		forced			
chamber capacity [l]		70 / 70	70 / 70 / 70	150 / 150	150 / 200
working capacity [l]		55 / 55	55 / 55 / 55	122 / 122	122 / 163
door type		solid / glass (option) / double <sup>1</sup> (option) / SMART window (option)			
temperature range [°C]		+3...+40 in SMART / up to +70 (option) / +3...+70 in SMART PRO			
temperature resolution [°C]		every 0,1			
controller		microprocessor PID, 4,3" (SMART) / 7" (SMART PRO) full-colour touch screen			
interior	C (comfort)	stainless steel to DIN 1.4016			
	CS (comfort/S)	stainless steel to DIN 1.4016			
	P (premium)	acid-proof stainless steel to DIN 1.4301			
	PS (premium/S)	acid-proof stainless steel to DIN 1.4301			
housing	C (comfort)	powder coated sheet			
	CS (comfort/S)	polished stainless steel to DIN 1.4301			
	P (premium)	powder coated sheet			
	PS (premium/S)	polished stainless steel to DIN 1.4301			
max shelf workload <sup>2</sup> [kg]	-	10	10	10	10
	PW <sup>3</sup> version	on request			
max unit workload [kg]		20 / 20	20 / 20 / 20	30 / 30	30 / 40
nominal power [W]		500	750	500	500
weight <sup>4</sup> [kg]		65	98	109	114
temperature fluctuation <sup>5</sup> at +37°C [± °C]		0,3	0,3	0,3	0,3
temperature variation <sup>5</sup> at +37°C [± °C]		0,5	0,5	0,5	0,5
temperature protection		class 1.0 to DIN 12880 / class 3.3 (option) / class 2.0 in P version / class 3.3 in SMART PRO			
power supply		230V 50-60Hz / 115V 50-60Hz			
shelves fitted/max		see page 49			
refrigerant		R1234ze / GWP=7			
warranty		24 months			
manufacturer		POL-EKO®			

all the above technical data refer to standard units (without optional accessories)

1 - additional internal glass door

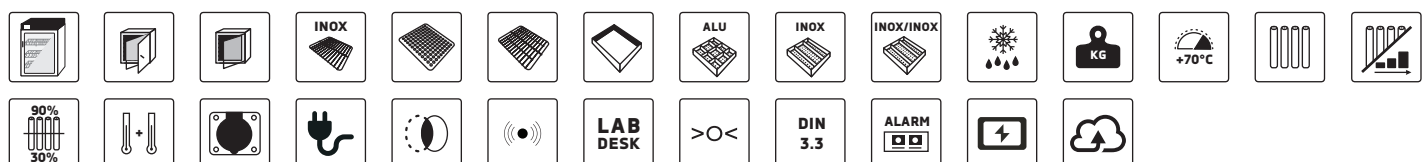
2 - on uniformly loaded surface

3 - reinforced shelf

4 - for units with solid door, in version C (comfort)

5 - fluctuation measured in centre of chamber; in space, variation (K) calculated for chamber as:  $K = \pm (T_{avg\ max} - T_{avg\ min}) / 2$   
for ST 2-6 parameters given for the chamberspace above the bottom step

**OPTIONS & ACCESSORIES** (icon description see pages 117-124)



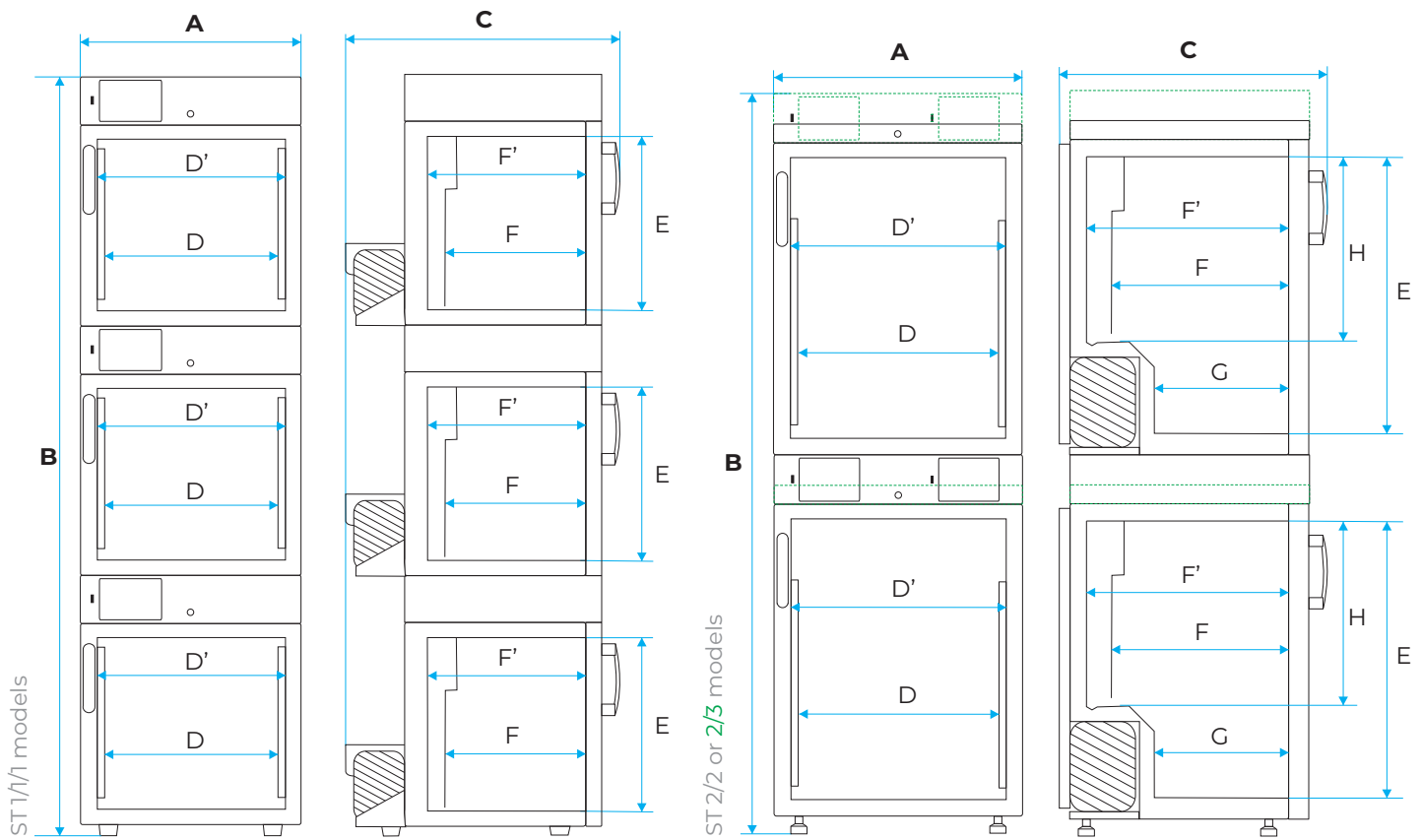
**DIMENSIONS & DATA**

All dimensions refer to standard units (without optional accessories).

Overall depth doesn't include 50 mm of power cable, the width does not include the 20 mm of access port's silicone plug.

The internal depth of units with double door is smaller.

Possibility of changing the shelf position every 25 mm



..... Control panel for ST 2/2 and ST 2/ZLN85 models is located between chambers, while for ST 2/3, ST 2/ZLN 85 and ST 3/ZLN 85 at the top

		ST 1/1	ST 1/1/1	ST 2/2	ST 2/3
overall dims [mm]	A width	580	580	630	630
	B height	1290	1920	1720	1920
	C depth	690	690	650	650
internal dims [mm]	D width	430	430	480	480
	D' width	470	470	520	520
	E height	430	430	660	660 / 860
	F depth	300	300	420	420
	F' depth	360	360	480	480
	G depth	-	-	320	320
	H height	-	-	440	440 / 640